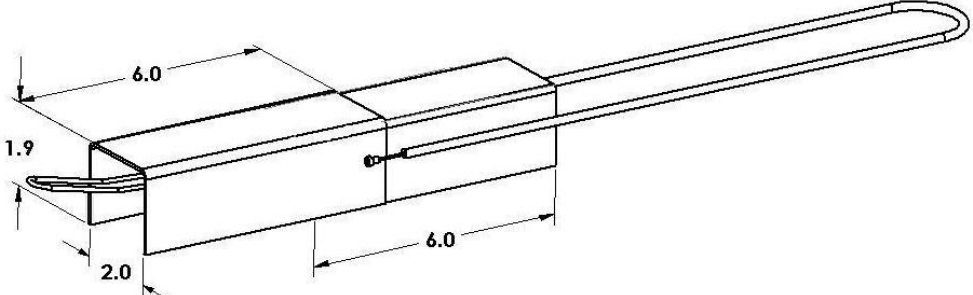


Product Code SDS-LK-KIT-ST	Nominal Dimensions N/A	
Description The Steel Raceway Locking Kit is required to securely lock down the Secure Raceway. When in “lock-down” position, the entire raceway is secure and the enclosed cables are protected. Releasing the lock enables the raceway to be repositioned and expanded for future moves, adds and changes (MACs). The Steel Locking Kit is used with steel and aluminum Secure Raceway.		
Specifications <ul style="list-style-type: none"> • 16-gauge electro-galvanized steel • Components: <ul style="list-style-type: none"> - Raceway Lock Connector: Length 6" x Width 2" x Height 2" - TopCap Starter: Length 6" x Width 2" x Height 2" - Lock assembly with 30" lanyard • Used with Steel and Aluminum Secure Raceway • Total Weight: 2 lbs Powder Coat Finish: White Textured		

	HOLOCOM, INC. customerservice@holocom.com www.holocom.com	PRODUCT CODE: SDS-LK-KIT-ST	TITLE: STEEL LOCKING KIT
All material contained in this document is the property of Holocom, Inc. and may not be reproduced or transmitted (including electronically) without the written consent of Holocom, Inc. Holocom and the Holocom logo are registered trademarks of Holocom, Inc. Other noted marks are trademarks of their respective companies. Holocom products protected by US Pats. 7,183,488; 7,115,814; 7,053,303; 7,049,517; 6,838,616; 5,831,211 and Pats. pending. Made in the U.S.A. Copyright © 2008 Holocom, Inc. All rights reserved.			