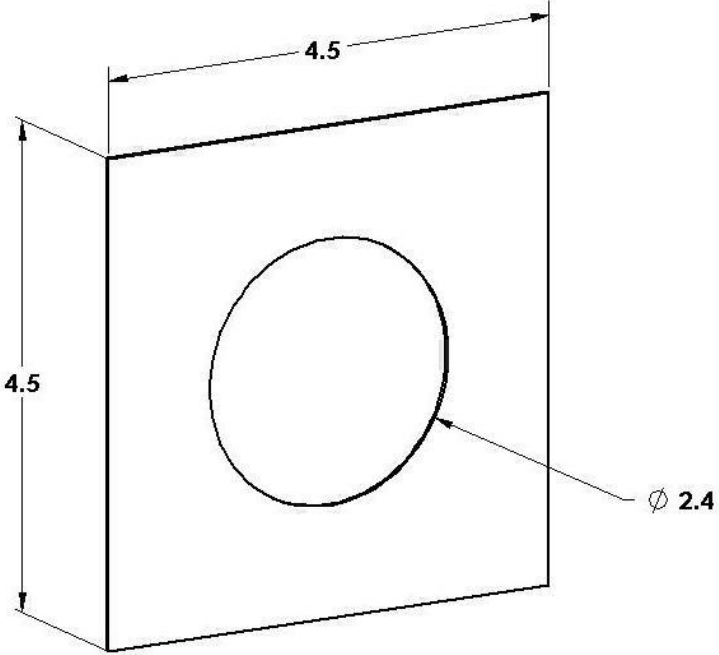



Product Code SDS-1003572	Nominal Dimensions 4.5" x 4.5" x 20-gauge	
Description The 4.5" Trim Ring covers the hole made when installing 2" diameter Through-Wall Kits.		
Specifications <ul style="list-style-type: none"> • 20-gauge electro-galvanized steel • Length 4.5" x Width 4.5" x Thickness 20-gauge • 2.4" hole diameter • 5 Trim Rings per package • Total weight: 2.5 lbs <p>Powder Coat Finish: White Textured</p>		

	HOLOCOM, INC. customerservice@holocom.com www.holocom.com	PRODUCT CODE: SDS-1003572	TITLE: 4.5" TRIM RING
		All material contained in this document is the property of Holocom, Inc. and may not be reproduced or transmitted (including electronically) without the written consent of Holocom, Inc. Holocom and the Holocom logo are registered trademarks of Holocom, Inc. Other noted marks are trademarks of their respective companies. Holocom products protected by US Pats. 7,183,488; 7,115,814; 7,053,303; 7,049,517; 6,838,616; 5,831,211 and Pats. pending. Made in the U.S.A. Copyright © 2008 Holocom, Inc. All rights reserved.	