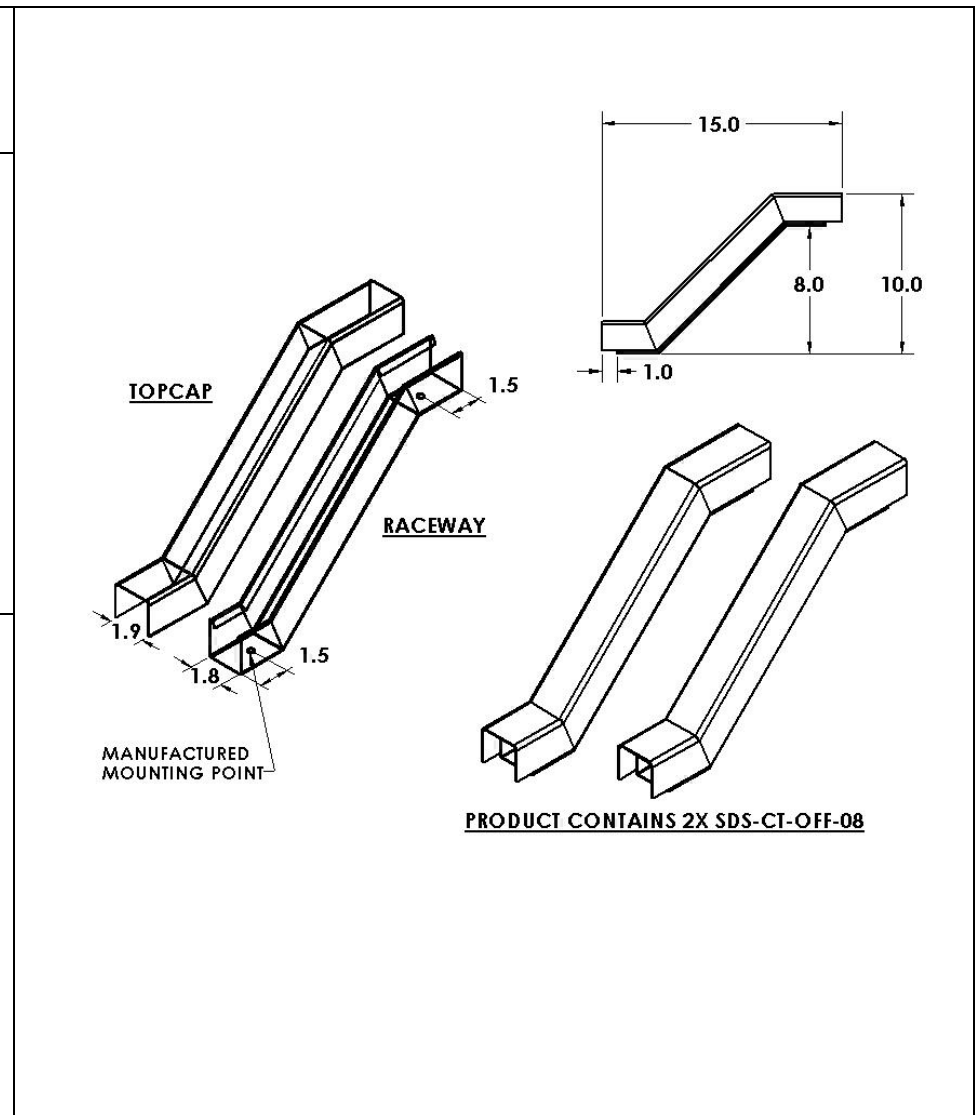


Product Code SDS-CT-COL-02	Nominal Dimensions 15" x 10" x 2" each
---	--

Description

The **Column Connector 8 Inch** offers the convenience of two (2) Offset Connectors 8 Inch (SDS-CT-OFF-08) packaged together in a single product. The Offset Connector 8 Inch greatly simplifies and expedites installation of Secure Raceway around a column with an 8" depth. Offset Connectors reduce the number of parts previously required to mount the raceway around a column, providing a cleaner appearance and reducing material and labor costs. Similar to a straight section of Secure Raceway, Offset Connectors consist of two components: the Raceway and TopCap. Two manufactured mounting points at each end of the Offset Connector simplify attachment to the wall. For most applications, installation would require **one (1) Column Connector 8 Inch** joined by four (4) Secure Raceway Joints (SDS-RW-SRJ), three (3) sections of Raceway and TopCap, one (1) Steel Locking Kit (SDS-LK-KIT-ST), and three (3) End-to-End Connectors (SDS-CT-EE6-ST).

- Specifications**
- 16-gauge electro-galvanized steel
 - Components:
 - Two (2) pieces of High Security Raceway
Length 15" x Width 10" x Height 1.8"
 - Two (2) pieces of High Security TopCap
Length 15" x Width 10" x Height 1.9"
 - Total Weight: 6.84 lbs
 - Two (2) manufactured mounting points in each Offset Connector
 - 1.5" from each end
 - Located along raceway center line
- Powder Coat Finish: White Textured



HOLOCOM, INC.
customerservice@holocom.com
www.holocom.com

PRODUCT CODE:
SDS-CT-COL-02

TITLE:
 COLUMN CONNECTOR 8 INCH

All material contained in this document is the property of Holocom, Inc. and may not be reproduced or transmitted (including electronically) without the written consent of Holocom, Inc. Holocom and the Holocom logo are registered trademarks of Holocom, Inc. Other noted marks are trademarks of their respective companies. Holocom products protected by US Pats. 7,183,488; 7,115,814; 7,053,303; 7,049,517; 6,838,616; 5,831,211 and Pats. pending. Made in the U.S.A. Copyright © 2008 Holocom, Inc. All rights reserved.