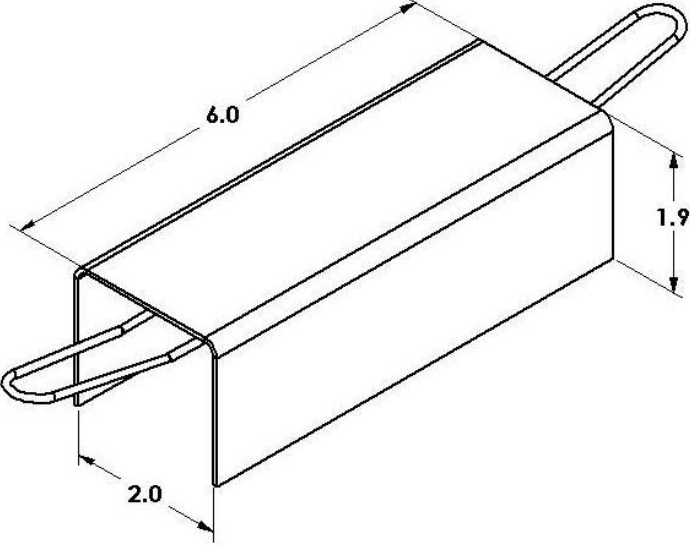



<b>Product Code</b>  <b>SDS-CT-EE6-ST</b>	<b>Nominal Dimensions</b>  2" x 2" x 6"	
<b>Description</b>  The End-to-End Connector securely joins two sections of Secure Raceway TopCap. It is used with both steel and aluminum Secure Raceway.		
<b>Specifications</b> <ul style="list-style-type: none"> <li>• 16-gauge electro-galvanized steel</li> <li>• Length 6" x Width 2" x Height 1.9"</li> <li>• Weight: 1 lb</li> </ul>  Powder Coat Finish: White Textured		

	HOLOCOM, INC. <a href="mailto:customerservice@holocom.com">customerservice@holocom.com</a> <a href="http://www.holocom.com">www.holocom.com</a>	<b>PRODUCT CODE:</b> <b>SDS-CT-EE6-ST</b>	<b>TITLE:</b> END-TO-END CONNECTOR
All material contained in this document is the property of Holocom, Inc. and may not be reproduced or transmitted (including electronically) without the written consent of Holocom, Inc. Holocom and the Holocom logo are registered trademarks of Holocom, Inc. Other noted marks are trademarks of their respective companies. Holocom products protected by US Pats. 7,183,488; 7,115,814; 7,053,303; 7,049,517; 6,838,616; 5,831,211 and Pats. pending. Made in the U.S.A. Copyright © 2008 Holocom, Inc. All rights reserved.			