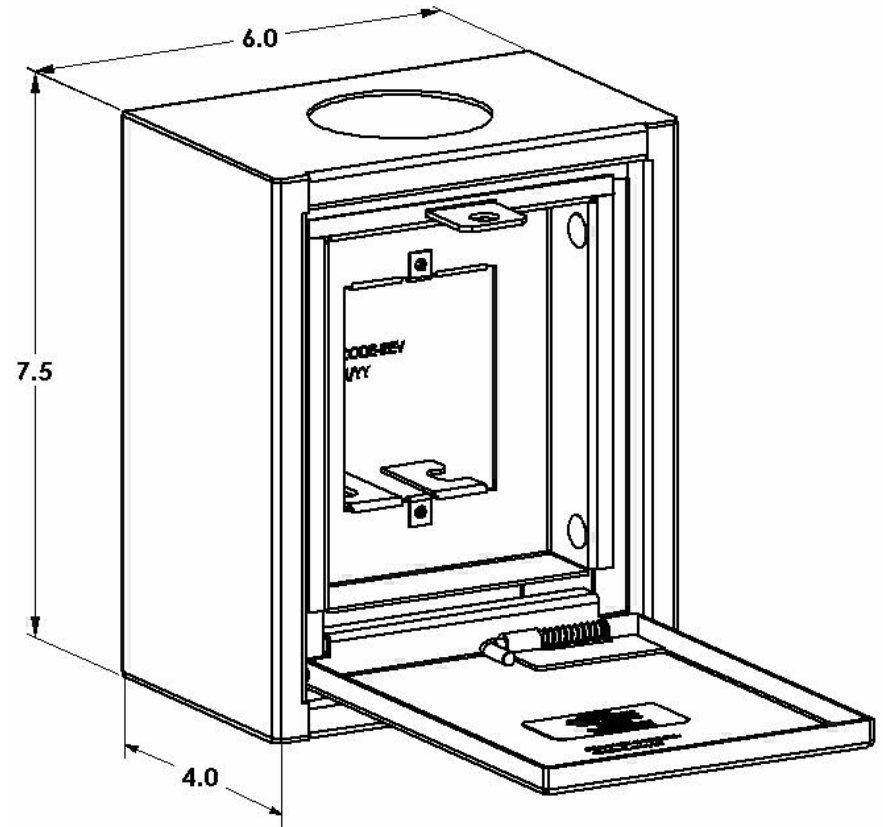



Product Code SEC-WM-UDB-H1	Dimensions 7.5" x 6" x 4"
Description The 16-gauge High Security User Drop Box (UDB) provides physical security for single or multiple network connections. The UDB mounts securely on walls and restricts access to the cable termination point. Built-in back plate and cable manager, manufactured mounting points, and INF-ready top opening reduce installation time. The door locks securely using Holocom's patented locking system and a Sargent & Greenleaf® padlock.	
Specifications Enclosure <ul style="list-style-type: none"> • Height 7.5" x Width 6" x Depth 4" • 16-gauge electro-galvanized steel • Weight 4.0 lbs • 2 3/8" diameter opening - ready for INF and raceway attachment • Two labor-saving, manufactured mounting points Door Assembly <ul style="list-style-type: none"> • Single drop-down door with security padlock hasp • Tamper resistant design with welded internal spring hinge Back Plate <ul style="list-style-type: none"> • Integrated tension relief cable management wrap • Removable Accessories <ul style="list-style-type: none"> • Sargent & Greenleaf® padlock (supplied separately) Powder Coat Finish: White Textured ¹ Compatible with most US single-gang faceplates. Angled connectors recommended.	



	Holocom, Inc. 2386 Faraday Avenue, Suite 200 Carlsbad, CA 92008 Tel: (760) 804-9545 Fax: (760) 804-9149 www.holocom.com	PRODUCT CODE: SEC-WM-UDB-H1	TITLE: USER DROP BOX (UDB)
		All material contained in this document is the property of Holocom, Inc. and may not be reproduced or transmitted (including electronically) without the written consent of Holocom, Inc. Holocom and the Holocom logo are registered trademarks of Holocom, Inc. Other noted marks are trademarks of their respective companies. Holocom products protected by US Pats. 7,183,488; 7,115,814; 7,053,303; 7,049,517; 6,838,616; 5,831,211 and Pats. pending. Made in the U.S.A. Copyright © 2008 Holocom, Inc. All rights reserved.	